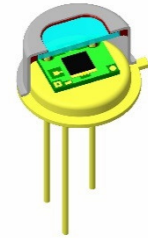


LIE-301-#

Single channel pyroelectric detector

Description:

single channel; TO39 housing; medium chip size; current mode;

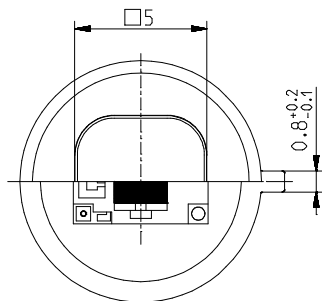
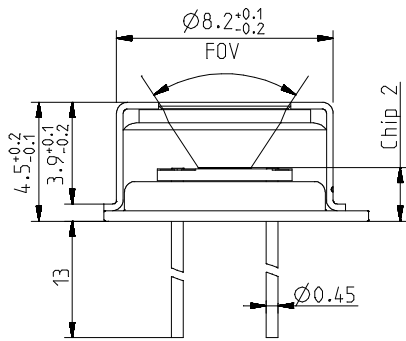
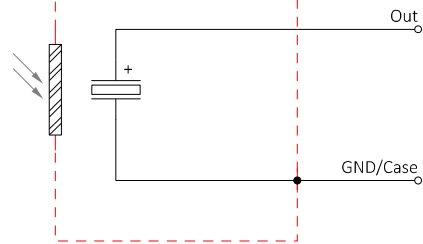
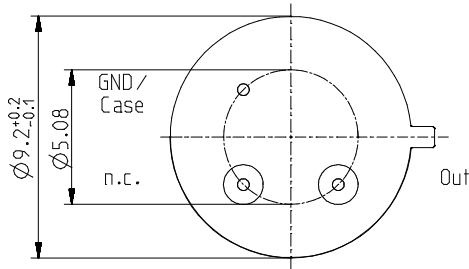


InfraTec Part number: S85237

Housing:

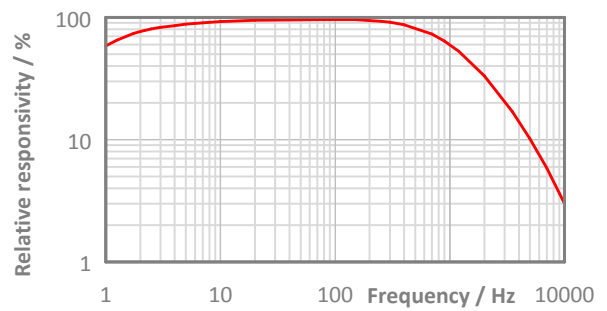
Pin Assignment:

T05 2+1Pin
Bottom view



Top view

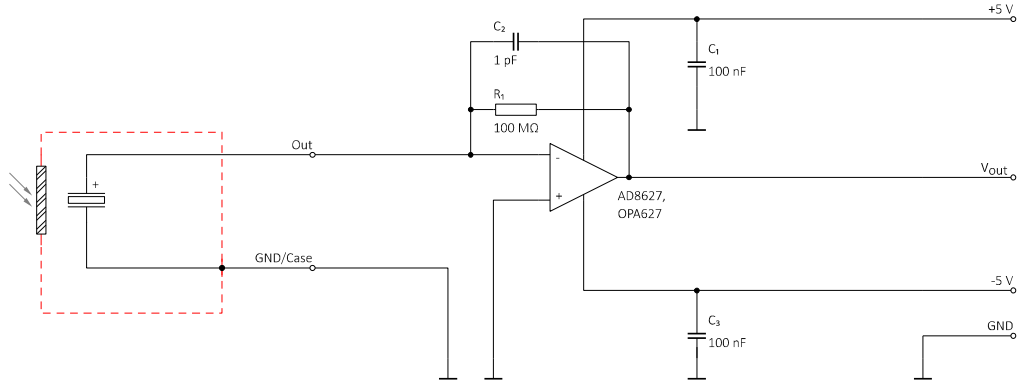
Frequency Response:



LIE-301-#

Single channel pyroelectric detector

Test Circuit:



Parameters:

Aperture size	nom	□ 5.0 mm
Element size / type	nom	2.0 × 2.0 mm ² lithium-tantalate with black layer
Thermal time constant	typ	150 ms
Polarity	nom	Positive signal by positive IR flux change
Current responsivity (rms) {500 K, 10 Hz, 25 °C, without filter/window}	min	1.6 μA/W
Element capacitance {1 kHz, 1 V, 25 °C}	typ	60 pF
Element dielectric loss {1 kHz, 1 V, 25 °C}	max	0.001
Operating / Storage temperature	nom	-25 ... +85 °C
IR window		All InfraTec windows and filters are available (except KBr and CsI). Customized filters upon request.
Filter sizes	nom	Rectangular filters: (5.25 × 5.25) mm +0/-0.05 mm Circular filters: ø6.5 mm ±0.1 mm Standard thickness: 0.50 mm +0.2/-0.1 mm Thickness range 0.70 ... 1.10 mm on request
Field of View	min	CaF ₂ or BaF ₂ ; 0.4 mm thick: 65° Silicon substrate; 0.5 mm thick: 70°

InfraTec reserves the right to change these specifications at any time without notification.