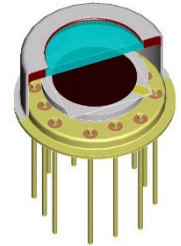


## LIE-329-#

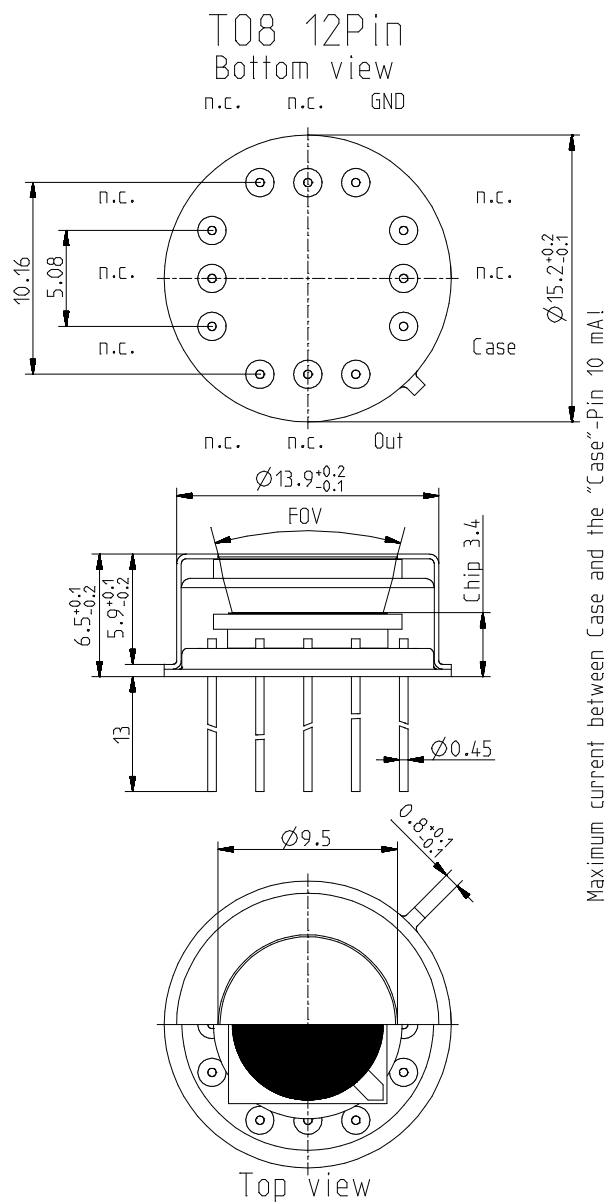
Special single channel pyroelectric detector

### Description:

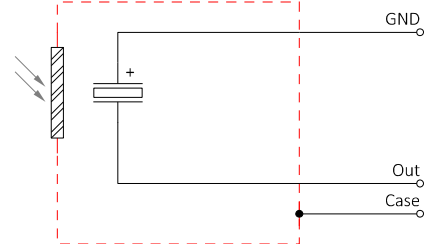
single channel; TO8 housing; large chip size; current mode;



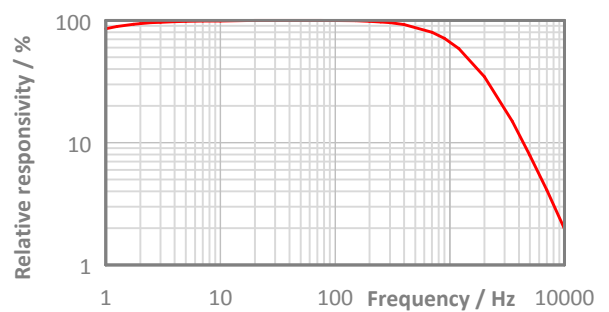
### Housing:



### Pin Assignment:



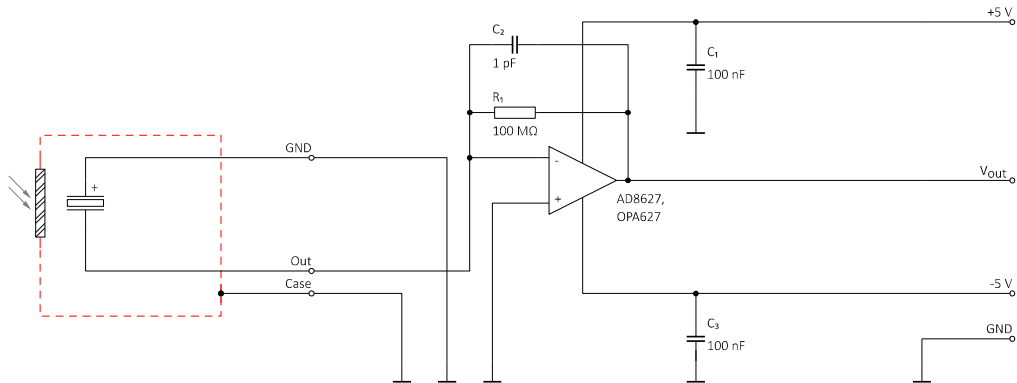
### Frequency Response:



## LIE-329-#

## Special single channel pyroelectric detector

### Test Circuit:



### Parameters:

Aperture size	nom	ø9.5 mm
Element size / type	nom	ø8.0 mm lithium-tantalate with polymer black layer
Thermal time constant	typ	100 ms
Polarity	nom	Negative signal by positive IR flux change
Current responsivity (rms) {500 K, 10 Hz, 25 °C, without filter/window}	min	1.0 µA/W
Element capacitance {1 kHz, 1 V, 25 °C}	typ	600 pF
Element dielectric loss {1 kHz, 1 V, 25 °C}	max	0.003
Potential of detector case	nom	Selectable potential between -24 ... +24 V to Ground {EMC requires low-impedance coupling}
Operating / Storage temperature	nom	-25 ... +85 °C
IR filter		CaF2, BaF2, customized filters upon request.
Filter sizes	nom	Rectangular filters: not applicable Circular filters: ø10.0 mm ±0.1 mm Standard thickness: 1.0 mm ±0.1 mm
Field of View	min	CaF2 or BaF2; 1.0 mm thick: 30°

InfraTec reserves the right to change these specifications at any time without notification.