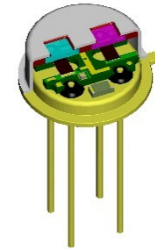


## LIM-152-#

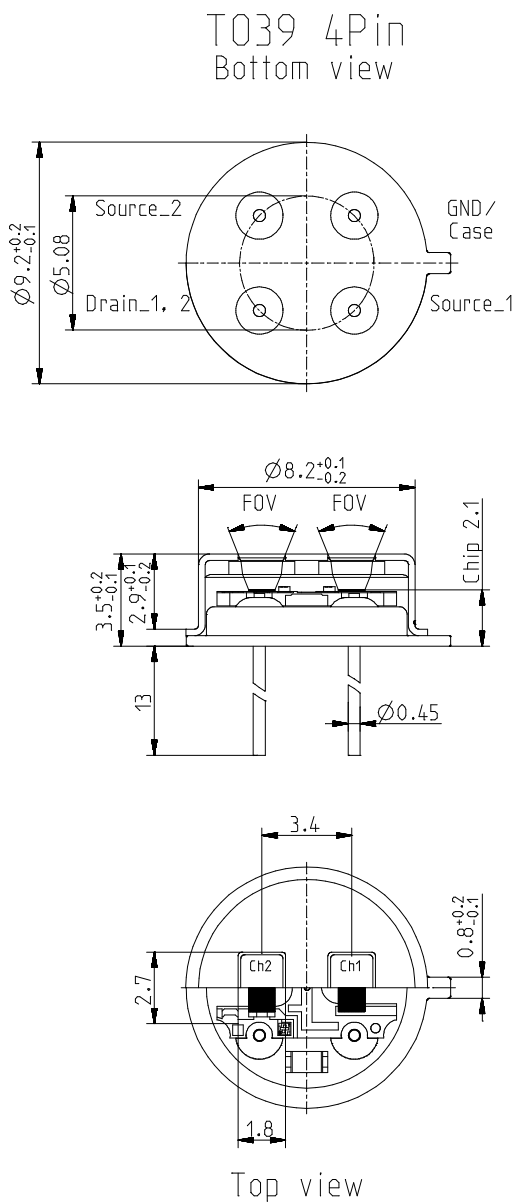
## Planar multi channel pyroelectric detector

### Description:

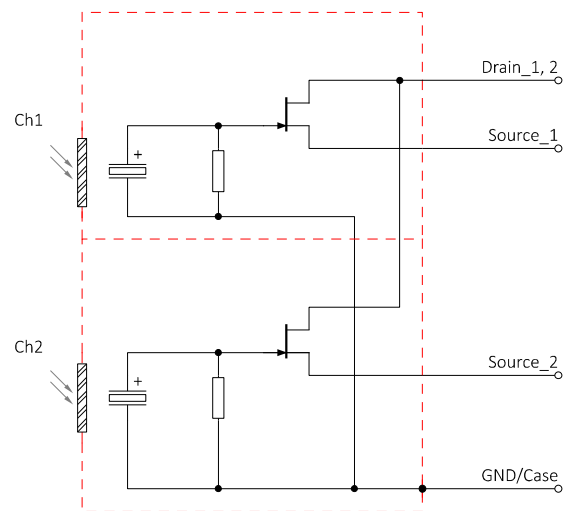
dual channel; TO39 housing; small chip size;  
JFET; voltage mode;



### Housing:

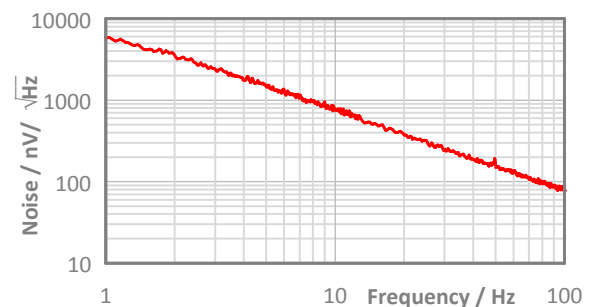
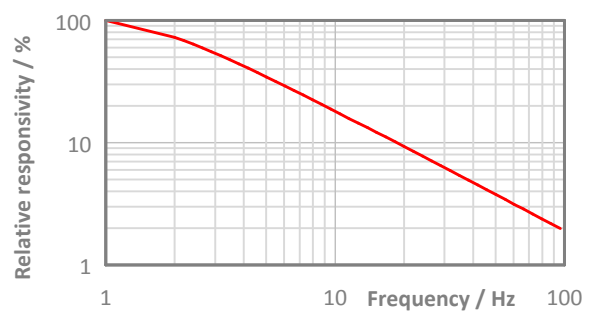


### Pin Assigment:



Maximum current between Case and the "Case"-Pin 10 mA!

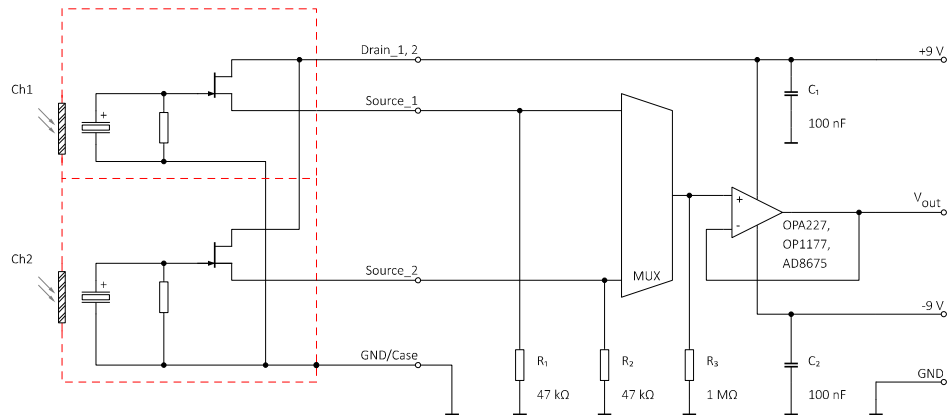
### Frequency Response:



## LIM-152-#

## Planar multi channel pyroelectric detector

### Test Circuit:



### Parameters:

Aperture size	nom	∅6.0 mm, single channel 2.7 × 1.8 mm <sup>2</sup>
Element size / type	nom	1.8 × 1.0 mm <sup>2</sup> lithium-tantalate with black layer
Thermal time constant	typ	100 ms
Electrical time constant	typ	150 ms
Polarity	nom	Positive signal by positive IR flux change
Voltage responsivity (rms) {500 K, 10 Hz, 25 °C, without filter/window}	min	700 V/W
Noise density (rms) {10 Hz, BW 1 Hz, 25 °C}	max	1,100 nV/√Hz
Detectivity {500 K, 10 Hz, 1 Hz, 25 °C, without filter/window}	typ	9.5E+07 cmVHz/W
Offset voltage {opt. Drain current = 10 ... 100 μA}	nom	0.4 ... 1.5 V
Drain source voltage	max	18 V
Operating / Storage temperature	nom	-40 ... +85 °C
IR filter		Combinations of all InfraTec standard narrow band pass filters are available. Customized filters upon request.
Filter sizes	nom	Rectangular filters: (3.50 × 2.50) mm ±0.1 mm Circular filters: not applicable Standard thickness: 0.50 mm +0.2/-0.1 mm
Field of View	min	CaF <sub>2</sub> or BaF <sub>2</sub> ; 0.4 mm thick: not applicable Silicon substrate; 0.5 mm thick: 40°

InfraTec reserves the right to change these specifications at any time without notification.