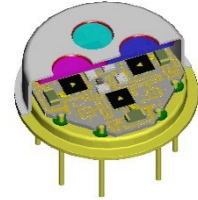


LMM-174-#

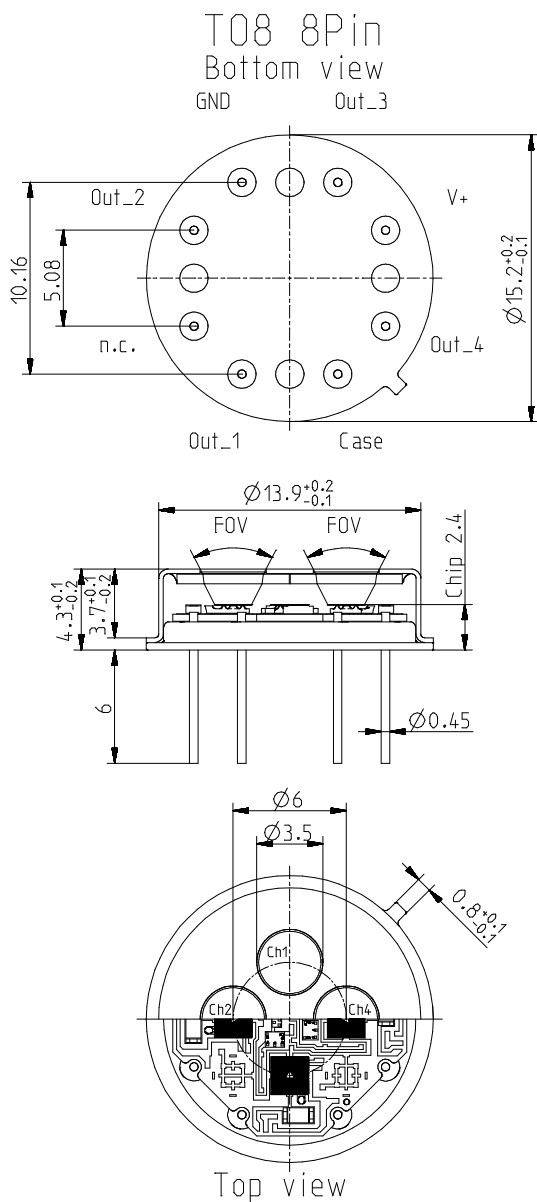
Planar multi channel pyroelectric detector

Description:

quad channel; TO8 housing; medium chip size; low Micro;
OpAmp; ultra low power consumption; single supply; current mode; feedback 5 GOhm;

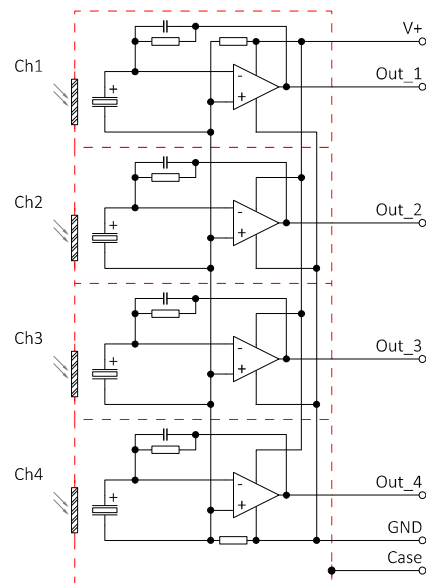


Housing:

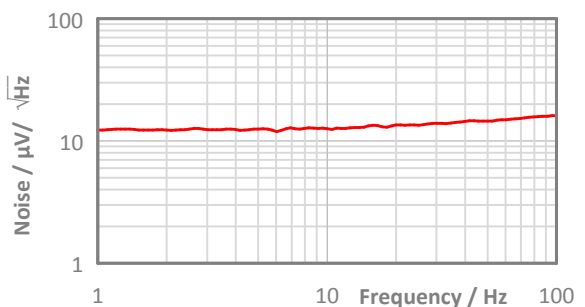
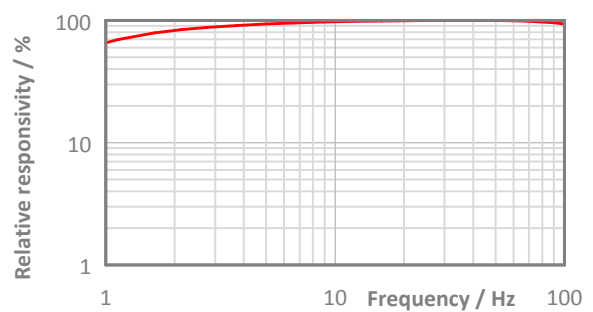


Maximum current between Case and the "Case"-Pin 10 mA!

Pin Assigment:



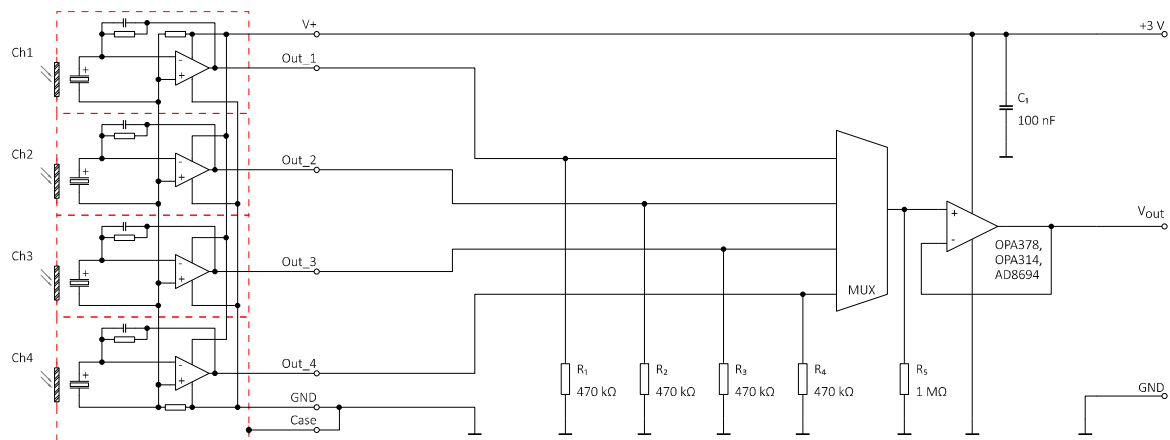
Frequency Response:



LMM-174-#

Planar multi channel pyroelectric detector

Test Circuit:



Parameters:

| | | |
|--|-----|--|
| Aperture size | nom | Ø9.5 mm, single channel Ø3.5 mm |
| Element size / type | nom | 2.0 × 2.0 mm ² lithium-tantalate with black layer |
| Thermal time constant | typ | 150 ms |
| Feedback resistor | nom | 5 GΩ ±10 % |
| Feedback capacitor | nom | 0.2 pF ±0.1 pF |
| Polarity | nom | Negative signal by positive IR flux change |
| Voltage responsivity (rms) {500 K, 10 Hz, 25 °C, without filter/window} | min | 6,000 V/W |
| Noise density (rms) {10 Hz, BW 1 Hz, 25 °C} | max | 11 μV/√Hz |
| Detectivity {500 K, 10 Hz, 1 Hz, 25 °C, without filter/window} | typ | 2.0E+08 cmVHz/W |
| Acceleration response {5 ... 200 Hz} | typ | 200 μV/g; g = 9.81 m/s ² |
| CMOS operational amplifier | nom | OpAmp3 |
| Operating supply voltage V+ | | 2.7 ... 10 V |
| Recommended supply voltage V+ | nom | V+ = +3 V |
| Supply current {output load 1 MΩ} | max | 120 μA |
| Offset voltage {25 °C; output load 1 MΩ} | | V+/2 ±10% |
| Optimal output load | nom | 470 kΩ |
| Absolute output current | max | 1 mA |
| Operating / Storage temperature | nom | -40 ... +85 °C |
| IR filter | | Combinations of all InfraTec standard narrow band pass filters are available. Customized filters upon request. |
| Filter sizes | nom | Rectangular filters: (4.20 × 4.20) mm ±0.1 mm Circular filters: not applicable Standard thickness: 0.50 mm +0.2/-0.1 mm Thickness range 0.70 ... 1.10 mm on request |
| Field of View | min | CaF ₂ or BaF ₂ ; 0.4 mm thick: not applicable Silicon substrate; 0.5 mm thick: 50° |

InfraTec reserves the right to change these specifications at any time without notification.